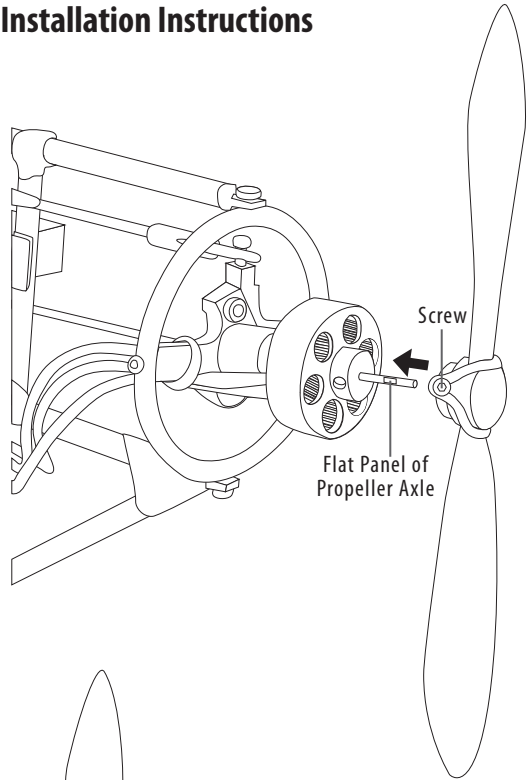


Propeller Installation Instructions

1

Slide the propeller and prop-saver onto the propeller axle, lining one of the screws up with the flat panel on the axle.



2

Using the included Allen Wrench tighten both screws onto the propeller axle. Try to keep one screw lined up with the flat panel on the axle.

